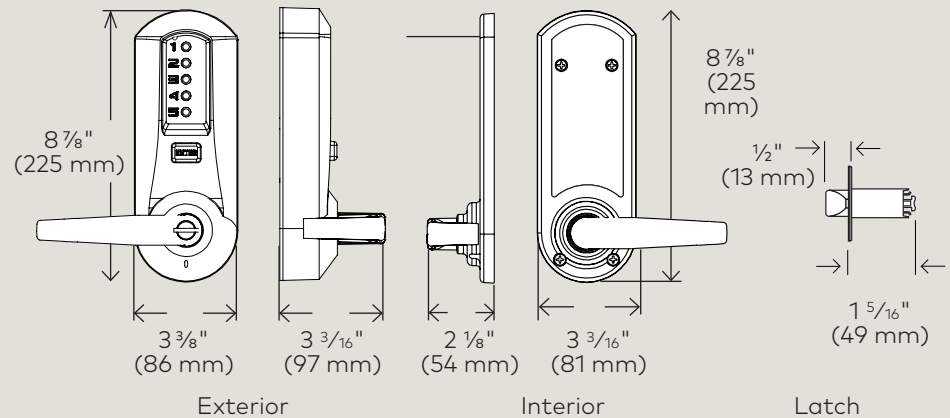


Simplex® 5000 Series

dormakaba



Application

Simplex Mechanical Pushbutton Locks eliminate problems and costs associated with issuing, controlling, and collecting keys and cards.

The Simplex 5000 Series provides exterior access by combination, while allowing free egress. This fully mechanical lock eliminates the material and labor expense of battery replacements, has a single access-code and is programmed via the keypad without removing the lock from the door.

The Simplex 5000 offers unparalleled strength, convenience, and flexibility. It is designed for simple and quick installations, non-handed design fits both left- or right- hand doors.

The lock is available in a wide range of configurations and is ideal for quick-access locations such as employee entrances, storage areas, inventory rooms, and many others.

Key Features

Operation: Eliminates problems and costs associated with issuing, controlling, and collecting keys and cards.

No Battery: Fully mechanical, eliminates the material and labor expense of battery replacements.

Number of Codes: One easy-to-manage code for all users.

Programming: Easily programmed via keypad without removing the lock from the door.

Handing: Non-handed, pre-assembled for left-hand door installations—easily changed in the field.

Key Override: Key-in-lever cylinders, small format interchangeable cores, large format removable core.

Accessibility Standard: Americans with Disabilities Act (ADA)

Specifications

Backset	Cylindrical: 2¾" (70 mm) backset, 2⅝" (60 mm) backset Exit Device: Varies by Exit Device Mortise: 2¾" (70 mm) backset
Latch	½" (13 mm) latch, ¾" (19 mm) latch (optional)
Exit Device/ Latch	Not supplied (see list on below for compatibility)/ Supplied with Exit Device
Minimum Stile Recommended	5" (127 mm)
Exit Device Compatibility (Simplex 5000 Exit Trim)	Arrow S1250, Arrow S3883F/S3800, Black & Decker (K-2) QED111/112, Cal Royal 2200, Cal Royal 9800, Corbin Russwin ED5200/5200A, Detex 10/F10 Series, Detex 1001 BP1, Dorex 8500R/8500F, Dorex 9500PR/9500FR, DORMA 9300/F9300, Monarch 18R*, F18R*, Precision 21/FL21, Sargent 2828, Sargent 3828, Sargent 8810E/8800, Sargent 8888, Von Duprin 22/22, Von Duprin 98/98F, Von Duprin 99/99F, Von Duprin XP98/99, Yale YME2100/2100, Yale 7100 *(requires special K-Hub Adapter, not supplied by dormakaba)
Universal Lever Key-In Cylinders	Includes dormakaba 1599 6-pin cylinder (prepped to dormakaba 90 or Schlage "C" Keyway, keyed different) and tailpieces for compatibility with: Abloy 5277, Abloy 5477, Arrow C100, ASSA 65611, ASSA 65691, Corbin Russwin 2000-03, dormakaba 1539, dormakaba Gemini 4730, dormakaba Peaks 1099, dormakaba Peaks 1099, dormakaba 1599, Marks, Medeco 20W200H1, Sargent 10 Line, Schlage 23-001, Schlage Primus 20-760
Australian	dormakaba expert 107K5, Boyd KC286
European	Quattro S/Expert, AP2 (5 and 6-pin)
Interchangeable Cores	Small format—Best and equivalents (6 or 7-pin length)
Removable Cores	Large format—ASSA/Medeco/Yale/Abloy (5 or 6-pin), Corbin Russwin (6 or 7-pin), Schlage, and Sargent
Door Preparation	Easily installs on wood or metal doors. ASA 161 door preparation with additional through holes.
Door Thickness	Cylindrical: 1⅝" (35 mm) to 2¼" (57 mm). Pre-assembled to accommodate doors 1⅝" (41 mm) to 2" (51 mm). Exit Trim and Mortise: 1¾" (44 mm) to 2¼" (57 mm). Pre-assembled to accommodate doors 1¾" (44 mm) to 2⅝" (54 mm).
Durability	D.O.D. Compliant 5220.22M for supplemental access control; weather resistant, wear tested for extensive use in indoor and outdoor applications
Fire Rating	3-hour UL/ULC fire rating for "A" label doors and installed with an existing fire-rated exit device (where applicable)
Standard Finishes	Satin Chrome 26D (626) housings and levers
Optional Finishes	Bright Brass 03 (605) housings and levers Satin Brass 04 (606) housings and levers Bright Chrome 026 (625) housings and levers Dark Bronze 744 housings and levers with brass accents
Warranty	Three-year warranty