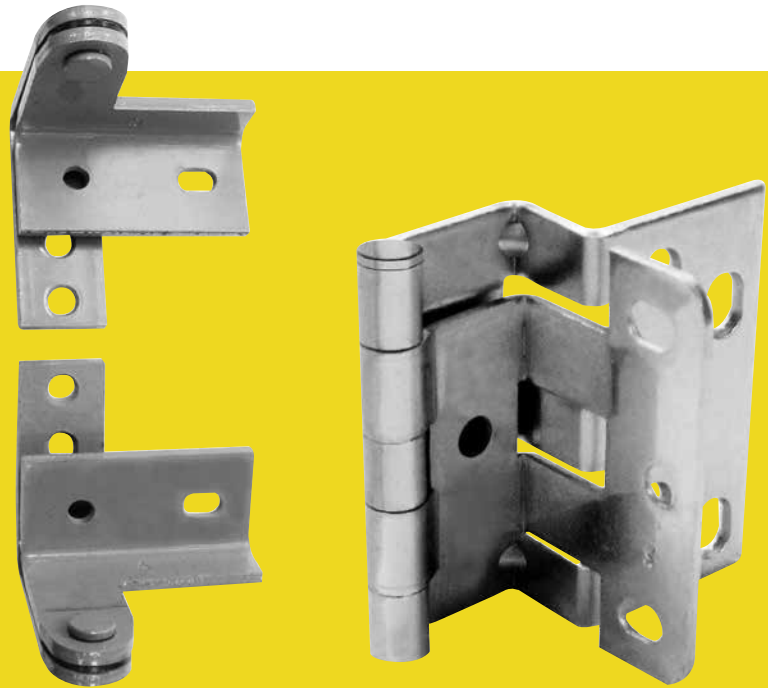


STANLEY®



CABINET & WARDROBE HARDWARE

Cabinet & Wardrobe Hardware

dormakaba 

Trusted experts. Proven reliability. Simply STANLEY.

TABLE OF CONTENTS

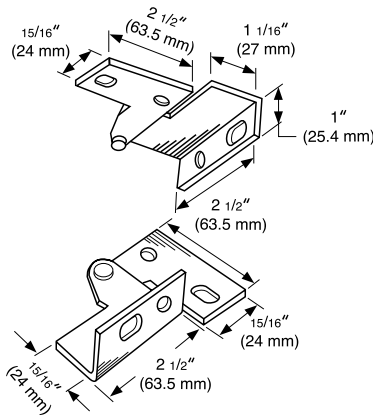
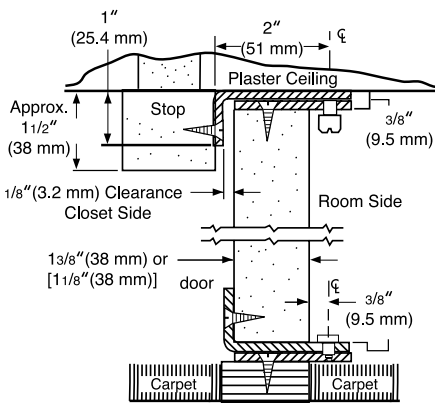
Wardrobe pivots..... 2-4
 Cabinet hinges 5

Notes 6-7

Wardrobe Pivots

340 – (ANSI A8753) – Standary duty – steel – plated or prime coated finishes

- For flush, recessed or overlay doors 1 1/8" (28.6 mm) to 1 3/8" (35 mm) thick not exceeding 75 lbs. (34 Kg)
- Only pivot of its type suitable for floor-to-ceiling doors
- Clean appearance, only hinge pivot shows when door is closed
- Door can be opened 180°
- Elongated screw holes make alignment simple
- Separable leaves of the top assembly permit fast installation
- Bushing at the pivot point assure smooth, silent operation



Right hand illustrated

Catalog Number	Gauge		Flat Head Wood Screws/Per Set	Sets Per Box*	Sets Per Case	Case Weight	
	Inches	(mm)				Lbs.	(Kg)
340	.131	(3.3)	8 - 12 x 3/4	1	20	17	(8)

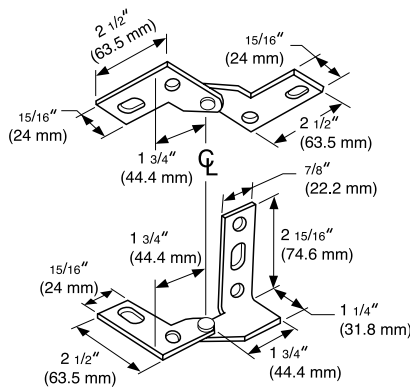
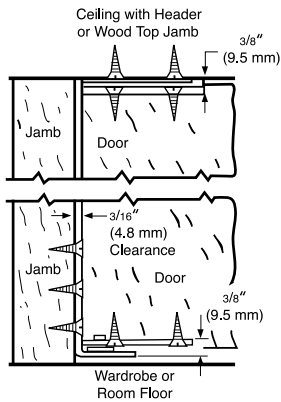
*Set consists of one top hinge and one bottom hinge

Handed. Specify right hand or left hand

Wardrobe Pivots

341 – (ANSI A8773) – Standary duty – steel – plated or prime coated finishes

- For flush, or recessed doors 1 1/8" (28.6 mm) to 1 3/8" (35 mm) thick not exceeding 75 lbs. (34 Kg)
- Top header and bottom side frame mounted
- Suitable for floor-to-ceiling doors
- Door can be opened 180°
- Elongated screw holes for easy alignment
- Separable leaves of the bottom assembly for quick, easy installation
- Bushing at the pivot point assure smooth, silent operation
- Edge mortise door leaves – standard practice



Right hand illustrated

Catalog Number	Gauge		Flat Head Wood Screws/Per Set	Sets Per Box*	Sets Per Case	Case Weight	
	Inches	(mm)				Lbs.	(Kg)
341	131	(3.3)	7 -12x 1 2 -12 x 11/4	1	20	14	(6.3)

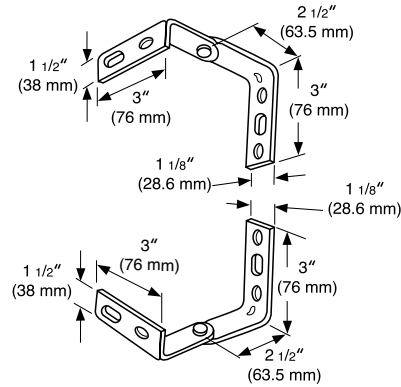
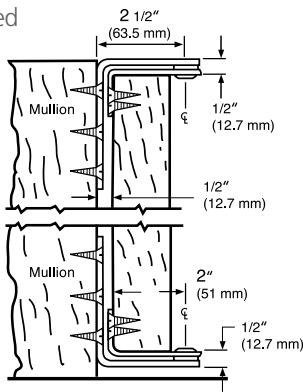
*Set consists of one top hinge and one bottom hinge

Handed. Specify right hand or left hand

Wardrobe Pivots

327 – (ANSI A8782) – Heavy weight – steel – satin chrome (26D) plated

- For overlay doors 1 3/8" (35 mm) to 1 3/4" (44 mm) thick doors not exceeding 150 lbs. (60 Kg)
- Ideal for wardrobe doors
- Bearings take vertical and lateral loads
- Designed for mullion or face frame mounting
- Doors can be installed floor-to-ceiling
- Screw holes allow for vertical and horizontal adjustment
- Doors can be opened 180°
- Non-Handed

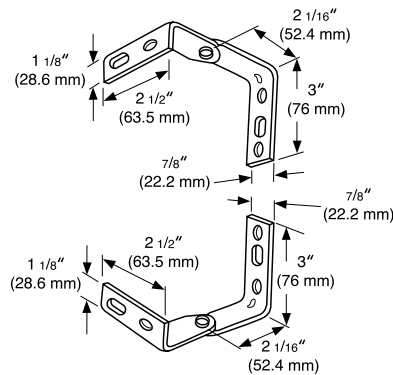
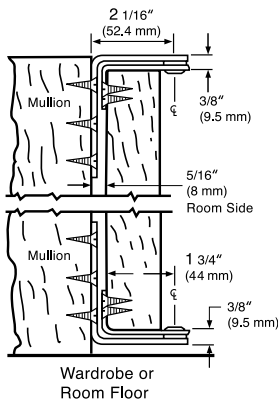


Catalog Number	26D EDP Number	Gauge		Flat Head Wood Screws/Per Set	Sets Per Box*	Sets Per Case	Carton Weight	
		Inches	(mm)				Lbs.	(Kg)
327	35-0043	.200	(5)	10-12 x 1 1/4	1	20	34	(15.4)

For other finishes contact factory.

342 – (ANSI A8783) – Standary duty – steel – plated or prime coated finishes

- For overlay doors 1 1/8" (28.6 mm) to 1 3/8" (35 mm) thick doors not exceeding 75 lbs. (34 Kg)
- Designed for mullion or face frame mounting
- Suitable for floor-to-ceiling doors
- Doors can be opened 180°
- Elongated screw holes for easy alignment
- Mortised door leaves – Standard practice
- Bushings at the pivot point assure smooth, silent operation
- Non-Handed



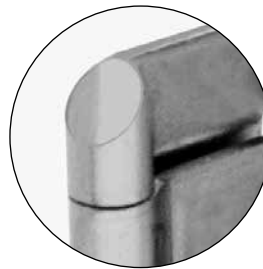
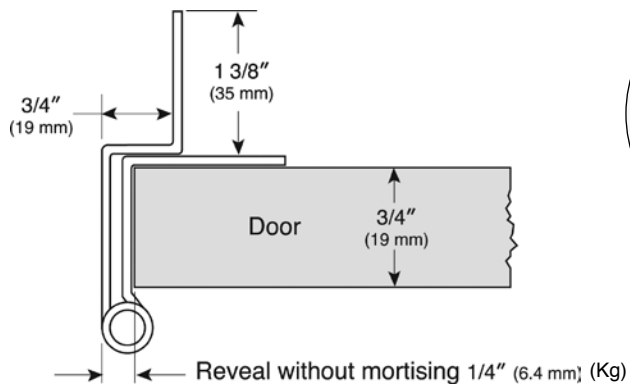
Catalog Number	Gauge		Flat Head Wood Screws/Per Set	Sets Per Box*	Sets Per Case	Case Weight	
	Inches	(mm)				Lbs.	(Kg)
342	.131	(3.3)	10-12 x 1	1	20	18	(8)

Cabinet Hinges

1592 – Button tip – steel – satin chrome (26D) finish

HT1592 – Hospital tip – steel – satin chrome (26D) finish

- Made of heavy .088" gauge steel
- For 3/4" (19 mm) thick overlay doors
- Has interleaf design for close door fit
- Elongated screw holes for easy vertical and horizontal alignment



Hospital Tip



Catalog Number	Size Length of Frame Leaf		Flat Head Wood Screws/Per Set	Pieces Per Pack	Packs Per Box	Packs Per Case	Carton Weight	
	Inches	(mm)					Lbs.	(Kg)
1592 & HT1592	2 3/4	(70)	16 -8 x 5/8	2	5	50	40	(18)

Notes:

STANLEY®

6161 East 75th Street
Indianapolis, IN 46250 USA

Phone 855-365-2407

stanleyhardwarefordoors.com

SAH015 Rev11/22/2018
© 2018 dormakaba USA Inc. All rights reserved.

© 2018 Stanley Black & Decker, Inc. STANLEY® and the STANLEY® Notched Rectangle logo are registered trademarks of Stanley Black & Decker Inc. or one of its affiliates, and are used under license

dormakaba 

dormakaba.com