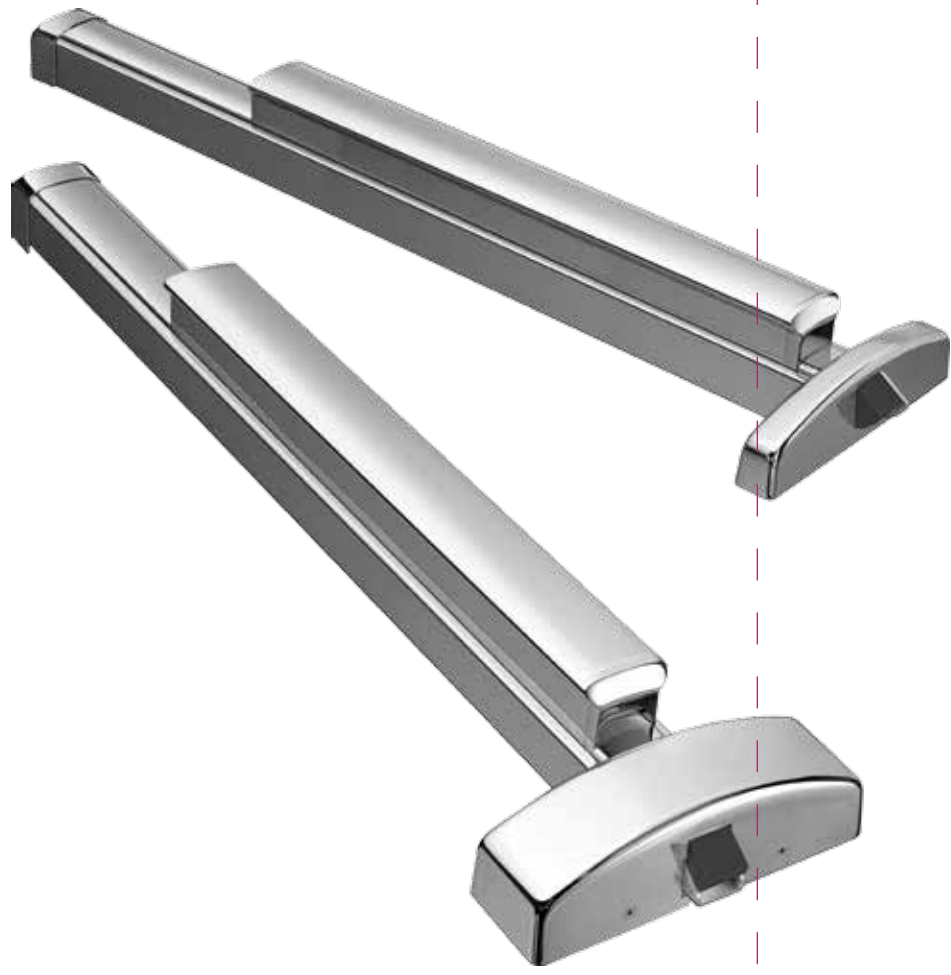


# PRECISION exit devices have earned a reputation for strength through their unmatched ability to withstand the most abusive applications.



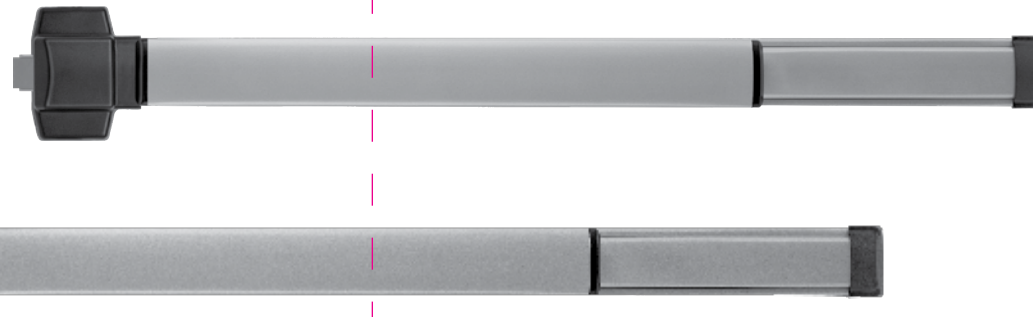
## APEX 2000 Series

- Investment Cast Steel Chassis
  - True Architectural Finishes
  - No Maintenance Kit Required
  - Bevel Touchbar End Caps
- Wide Stile – Rim, Surface Vertical, Mortise, Concealed, Wood Door Concealed  
Narrow Stile – Rim, Concealed Vertical Rods



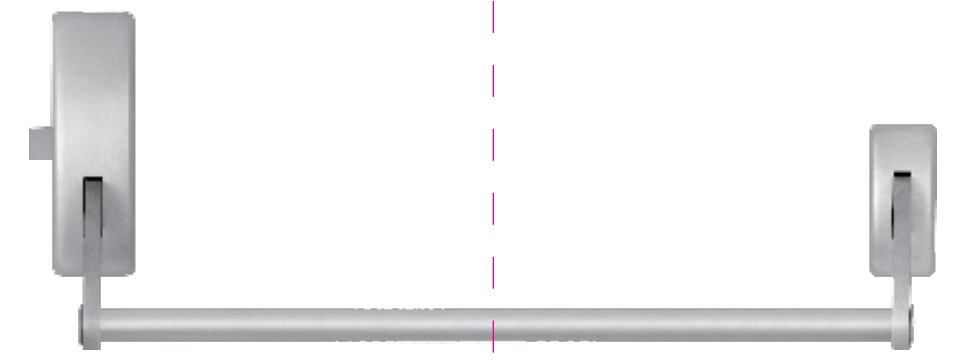
## Reliant 5000 Series

- Universal Function/Field Reversible
  - Powder Coated Steel Touchbar with Beveled End Caps
  - Covers ANSI A115.2 (Type 161) or ANSI 115.8 Cylinder Lock Preparation
  - Thru-Bolts in ANSI A115.18 Preparation without Additional Machining
- Rim and Surface Vertical Rods



## Olympian 100, 200, 300 Series

- Multiple Function Chassis Convertible by Exchanging Backplate Assembly
  - Investment Cast Steel Chassis
  - True Architectural Finishes
- Rim and Surface Vertical Rods



## Finishes



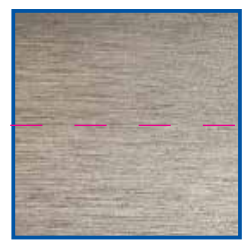
605 Bright Brass



606 Satin Brass



612 Satin Bronze



613 Oil Rubbed Bronze



625 Bright Chrome



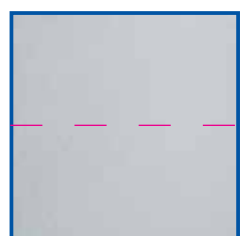
626W Satin Chrome Weatherized



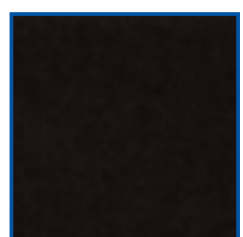
628 Satin Aluminum



630 Stainless Steel



689 Painted Aluminum



695 Dark Bronze

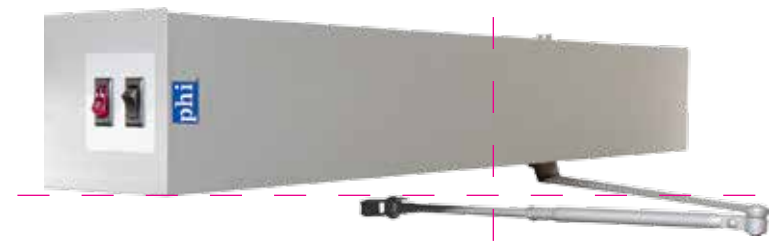
## Arm-A-Dor Series

- Four-Point Thru-Bolt Mounting
- Two-Point Solid Steel Deadbolt Latching
- Integrated Alarm



## D-4990 Series

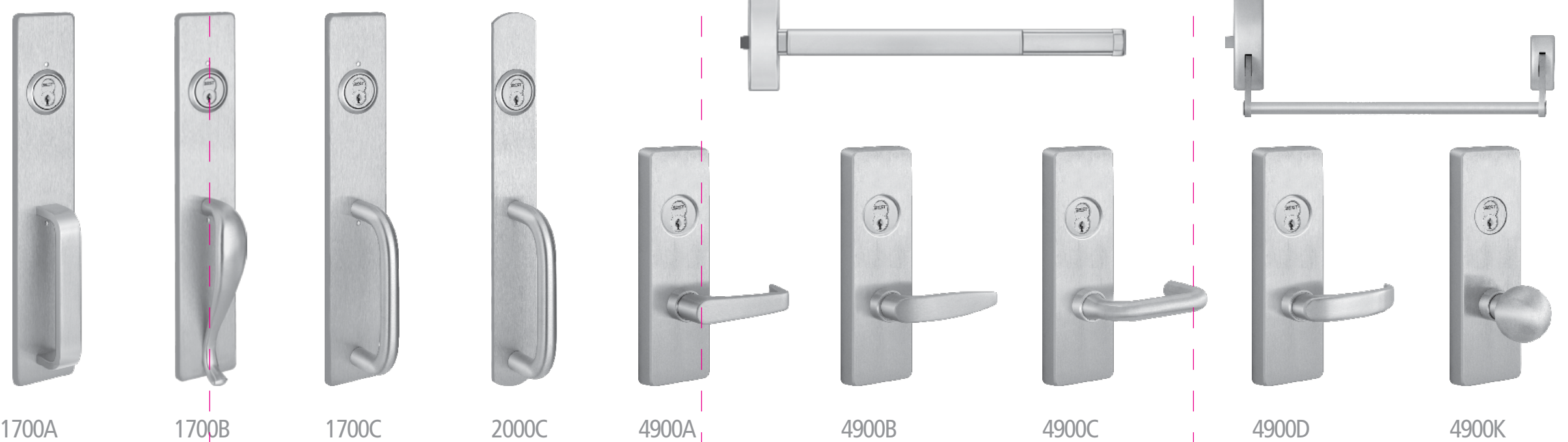
- Low Energy, Low Resistance Door Operator
- Electro-Hydraulic Technology Meets ADA Requirements
- Easy Installation



## Cast Steel Construction

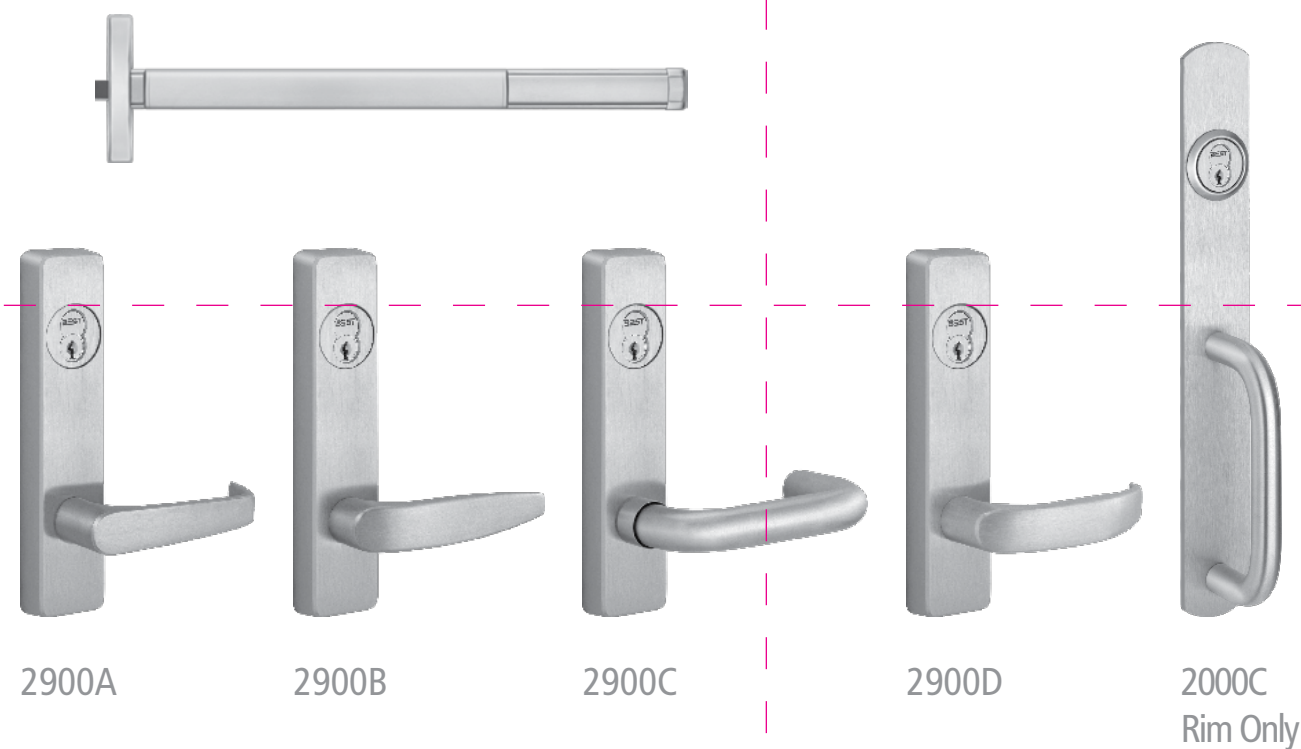


## APEX 2000 Series Trims (Wide) and Olympian Series Trims

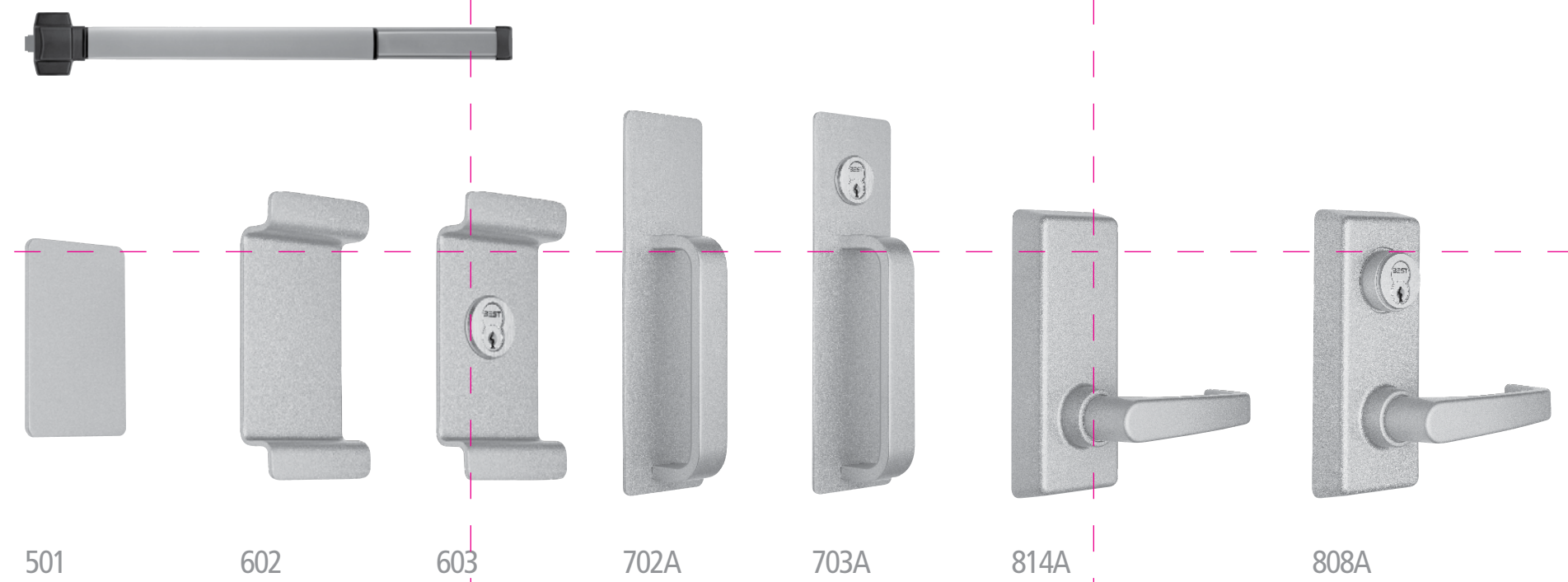


All V4900 trim series are resistant up to 175 foot pounds and require no lever reset.

## APEX 2000 Series Trims (Narrow)



## Reliant 5000 Series Trims



## APEX 2000 Electrical Options

- C - Pre-Terminated Quick Connect Plug
- DE - Delayed Egress
- E - Electric Lock/Unlock
- ELR - Electric Latch Retraction
- MLR - Motorized Latch Retraction
- LS - Latchbolt Monitoring Switch
- Q - Wireless Access Management System

## Reliant 5000 Electrical Options

- TS - Touchbar Monitoring Switch
- ALK - Battery Powered Alarm
- ALW - Hardwired Alarm
- WTS - Weatherized Touchbar Switch



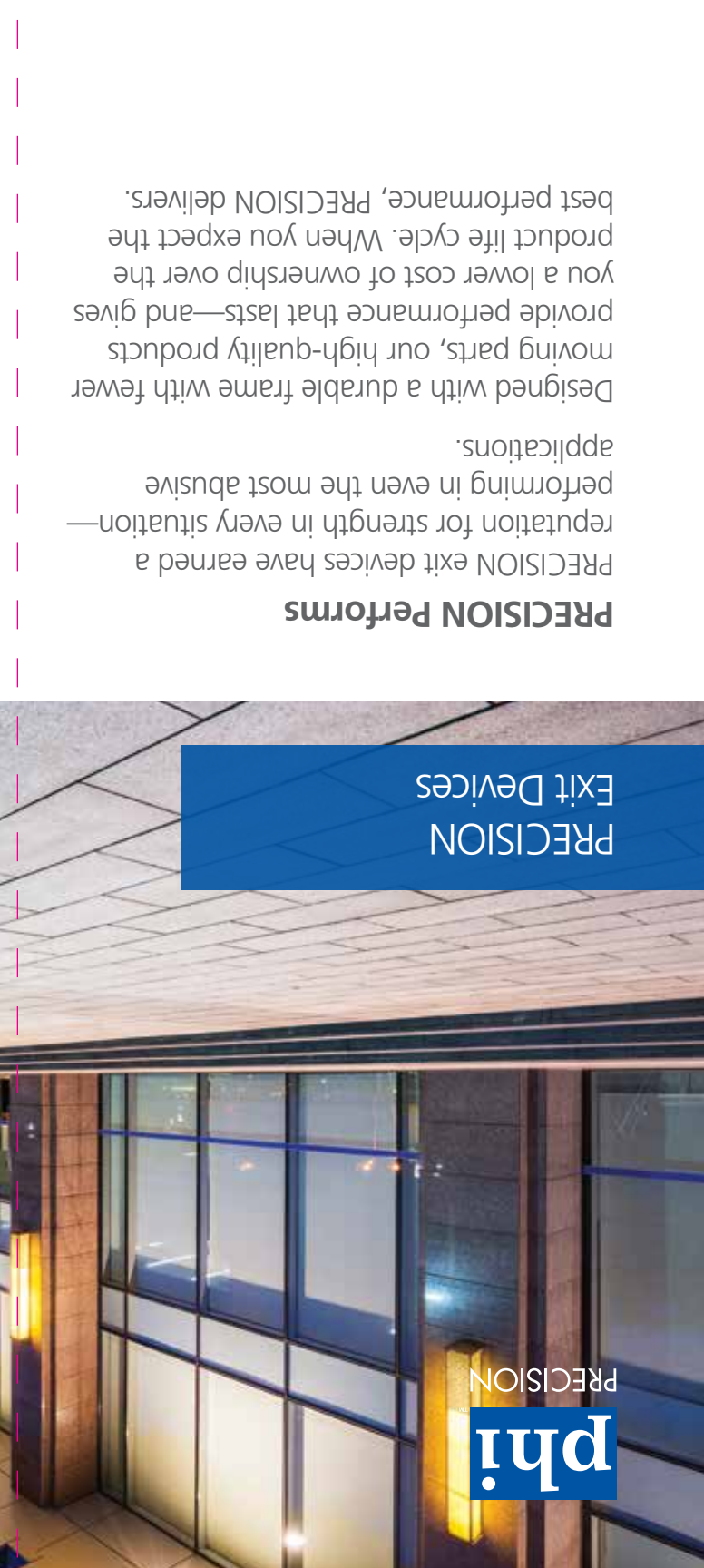


**PRECISION**  
**phi**  
**PRECISION**  
**precisionhardware.com**  
 Phone 855-957-4107  
 6181 KAYS 151EER  
 INDIANAPOLIS, IN 46250 USA  
 CORPORATE HEADQUARTERS  
 PRECISION  
 PANIC AND FIRE EXIT DEVICES  
 WELL KNOWN FOR THE STRENGTH, DURABILITY AND  
 PERFORMANCE THEY OFFER—EVERY TIME.

**The Quest for Precision**  
 PRECISION was born from one man's vision for a high-quality product that could be consistently produced again and again—with a precision that ensured both performance and reliability.  
 In 1946, John J. Keys started PRECISION Hardware. In the early days, PRECISION produced push-pull handles before migrating into exit devices—the door hardware that would eventually become its stronghold. Always producing quality keys ensured that PRECISION products were well built, smartly designed and functionally innovative—ultimately living up to the name he gave them. Today, his vision is still evident.  
 PRECISION panic and fire exit devices are well known for the strength, durability and performance they offer—every time.

**PRODUCTS TO FIT YOUR EVERY NEED**  
 PRECISION products offer the highest in safety, security and simplicity. We offer affordable options in many different styles and finishes for all types of applications.  
**INNOVATIVE FEATURES**  
 • Instal-friendly, durable design  
 • Low current electronic latch retraction  
 • Cast construction  
 • Antimicrobial UltraShield™  
 Backed by the remarkable family of brands, PRECISION exit devices, BEST locks, and STANLEY door closers and hinges.  
 We can build a total solution offering that includes PRECISION exit devices, BEST locks, and STANLEY door closers and hinges.  
 For more than half a century, PRECISION has manufacturing panic and fire exit hardware.

**PRECISION Performs**  
 PRECISION exit devices have earned a reputation for strength in every situation—performing in even the most abusive applications.  
 Designed with a durable frame with fewer moving parts, our high-quality products provide performance that lasts—and gives you a lower cost of ownership over the product life cycle. When you expect the best performance, PRECISION delivers.



**Solutions for Every Market**  
 PRECISION products are packed with features that promise durability and performance. Our panic and fire exit hardware can be custom-configured for every application, in virtually every market—giving you style, security and strength all in one solution.  
 For every type of facility or opening, PRECISION products are designed to be:  
 • **Reliable:** Tested to the highest industry standards  
 • **Durable:** Withstanding high levels of use for a very long time  
 • **Easy to maintain:** Supporting those who take care of the hardware  
 • **Secure:** Protecting the people and possessions inside your building

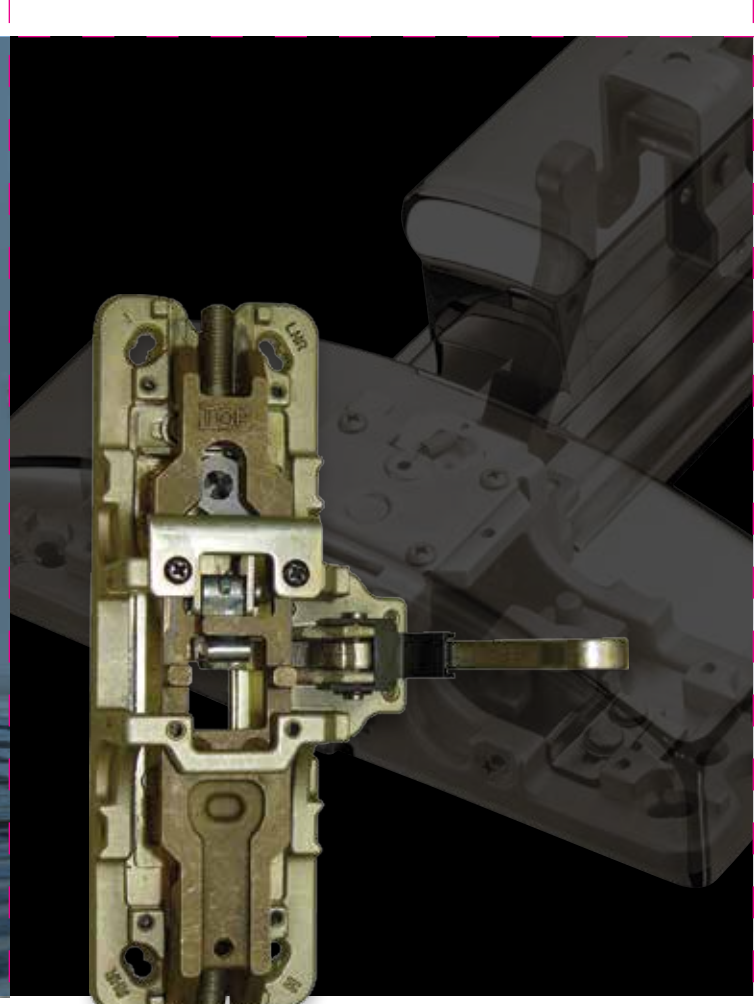
**PROVEN SECURITY FOR GOVERNMENT**  
 PRECISION products have been a standard in government markets for more than 70 years. And our Security Government Program makes it simple for federal and state agencies to get the panic and exit hardware they need through the purchasing channels they prefer.  
 • Assembled in the United States  
 • Wide range of applications and security requirements  
 • Available through Schedule 84, Schedule 51V, Advantage Online Shopping Portal and other government channels

**SAFEGUARDING HEALTHCARE**  
 Moving quickly throughout a facility, while ensuring the safety of patients, is a critical component in the security of any healthcare environment. Our heavy-duty exit devices like the APEX 2000 Series are packed with innovative features ideal for healthcare environments:  
 • Delayed egress  
 • Motorized latch retraction  
 • Antimicrobial UltraShield

**HIGH SECURITY FOR SCHOOLS**  
 In the school sector, security and budget are top priorities. PRECISION can help you achieve both—without sacrificing one for the other.  
 • Premium quality exit hardware for high-traffic environments  
 • Durable construction to ensure long life and minimal maintenance  
 • Procured, installed and maintained the way schools need

**CODE-COMPLIANCE FOR COMMERCIAL BUILDINGS**  
 Whether you need to secure the building perimeter, interior private spaces or common areas, PRECISION has what you need. And because PRECISION products like the APEX 2000 Series and Reliant 5000 Series are made to last, property owners get the most out of their investment over the product life cycle.  
 • Broad selection of functions, styles and finishes  
 • Ability to suite across all types of doors in a commercial facility  
 • Wide range of applications and security options

**SECURITY WITH A FOCUS ON LOSS PREVENTION**  
 Protecting inventory and preventing theft are the top security concerns for retail facilities today. The Arm-A-Dor Series and the D-4990 Series lead PRECISION's proven exit device solutions in the retail market.  
 • Rear-door applications to deter against loss prevention  
 • Code-compliant egress in event of emergency



**Heavy-Duty Exit Devices: Long-lasting Security**  
 Thanks to efficient engineering and durable hardware, PRECISION's heavy-duty exit devices represent the ultimate in safety, security and simplicity. Their durable cast construction allows PRECISION hardware to withstand high traffic and high use on a regular basis. Additionally, innovative features like low current electronic latch retraction, true architectural finishes and UltraShield give PRECISION products a longer life span and a lower overall cost of ownership.

**APEX 2000 Series**  
 No other exit device offers the level of functionality and dependability as the APEX 2000. Built with fewer components and in various door configurations, this Grade 1, heavy-duty exit device provides smoother operation with minimal need for maintenance.  
 • Rubber bumpers to reduce functional noise  
 • Universal active case and end cap mounting holes for easy retrofit  
 • Low profile end caps and smooth contour for pleasing design

**CAST CONSTRUCTION**  
 Unlike other exit devices, the APEX 2000 is made of heavy-duty cast construction to provide maximum strength and durability.  
 • Investment cast steel chassis to protect against forced entry  
 • Fewer moving components to reduce risk of failure  
**10 MILLION OPERATIONAL CYCLES**  
 The APEX 2000 was tested to 10 million cycles—far exceeding the cycles required by Grade 1 standards.  
 • Audit performed by an authorized UL inspector  
 • Requirements confirmed every incremental millioth cycle  
 • One of most durable exit devices in the market

**TRUE ARCHITECTURAL FINISHES**  
 A true architectural finish—chrome plating over brass for each exterior component, not just a color match—is applied to all APEX and Olympian PRECISION hardware.  
 • Resistance against rust, corrosion and salty air over full life  
 • Consistent aesthetic look throughout building  
 • Long-lasting quality  
**ULTRASHIELD**  
 Our UltraShield coating inhibits the growth of bacteria and other microbes on the surface of the hardware.  
 • Naturally occurring silver ion exchange creates a sanitary surface  
 • Protection that is on guard 24/7

**Arm-A-Dor Series**  
 Take control in the fight against back door break-ins with the PRECISION Arm-A-Dor Series. Used by many of the nation's largest retailers, the Arm-A-Dor Series is actually three products in one: locking bar protection, built-in alarm and panic device.  
 • Protection from outside security threats  
 • Built-in alarm to protect against inside theft  
 • Four-point thru-bolt mounting  
 • Two-point solid steel deadbolt latching feature  
 • Integrated alarm triggered when push-bar activated  
 • Wide push-bar design for easier egress

**D-4990 Series**  
 Better door control starts at the top with an effective low energy operator like the PRECISION D-4990 Series. This robust door operator ensures a safe and simple door opening solution. Its low resistance and user-friendly power-open feature give users the flexibility to fit a variety of door opening applications.  
 • Patented cam design for low resistance during manual operation  
 • Electro-hydraulic technology to meet ADA requirements  
 • Pre-configured mounting holes for easy installation  
 • Compatible with BEST electric strikes or PRECISION motorized latch retraction (MLR) exit devices



**Grade 1 Exit Devices: Secure and Economical**  
 The Reliant 5000 Series is a cost-effective Grade 1 exit device option for applications such as retail, hospitality, mixed-use, multifamily and commercial office spaces. With a stainless steel chassis, the Reliant 5000 Series is durable and designed to fit the standard ANSI A115.2 (Type 161) or ANSI A115.18 cylinder lock preparation. And all Reliant 5000 Series exit devices are UL listed for panic and fire hardware and certified to ANSI A156.3 Grade 1.

**Reliant 5000 Series**  
 For the right choice in high-traffic areas, rely on the design and durability of the Reliant 5000 Series.  
 • Field reversibility for easy installation  
 • Sound dampeners to reduce noise  
 • Variety of trim styles, functions and finishes  
 • Touchbar Monitoring Switch, Battery Powered Alarm, Hardwired Alarm and Weatherized Touchbar Switch

**Olympian Series**  
 The Grade 1 Olympian Series is aesthetically appealing and extremely durable because of its traditional crossbar style design. Simple installation, minimal maintenance and classic lines are hallmarks of the Olympian Series.  
 • Rugged components machined to fine tolerances  
 • Heavy-duty lever trim designed to withstand abuse and vandalism  
 • UL listed for panic and fire; ANS/BHMA Grade 1 certified  
 • Variety of finishes; vandal resistant levers, knobs and pull trims

**Exit Device Trims**  
 Complete your exit device solution with our coordinated trims. We offer customization options to fit a wider range of applications. And we don't just match aesthetics—our trims provide the same quality and reliability you expect from PRECISION.  
 • Field reversibility for easy installation  
 • Variety of finishes and trim styles  
 • Vandal Resistant trims (APEX and Olympian Series):  
 - Extra strength "overload" springs and cast stainless steel internal components to withstand abuse  
 - Lever automatically returns to the home position; No resetting required  
 - Functions: dummy, night latch, classroom and passage  
 - Recessed cylinder for increased security and aesthetics

**Keys and Cores: Security and Control**  
 The unique way a key and core come together is the foundation of how every opening is secured. With BEST's unique combining and keying, our distributors can ensure that keys and cores work together in a way that not only ensures the integrity of every opening, but also makes them easy to maintain and manage over the life of the product. Best of all, we have significant experience in the industry to help you develop a system and approach that is custom-tailored to your facility.

**WHY BEST KEYS AND CORES**  
 • Tight tolerances to provide the highest level of mechanical security  
 • 6- and 7-pin options to ensure greatest number of key combinations  
 • Multiple shear lines to build multi-level access  
 • Brass alloy construction that is tough, strong and corrosion-resistant  
 • Individually capped chambers for easier service  
 • BEST-constructed pin segments that help control tolerance and quality  
 • Stringent quality control ensures every part of the core and lock meet our industry-high standards  
 We can build a total solution offering that includes PRECISION exit devices, BEST locks and STANLEY door closers and hinges. Our products can be standardized throughout your facility to maximize both your operating dollars and time investment.